



INSTALLATION INSTRUCTIONS

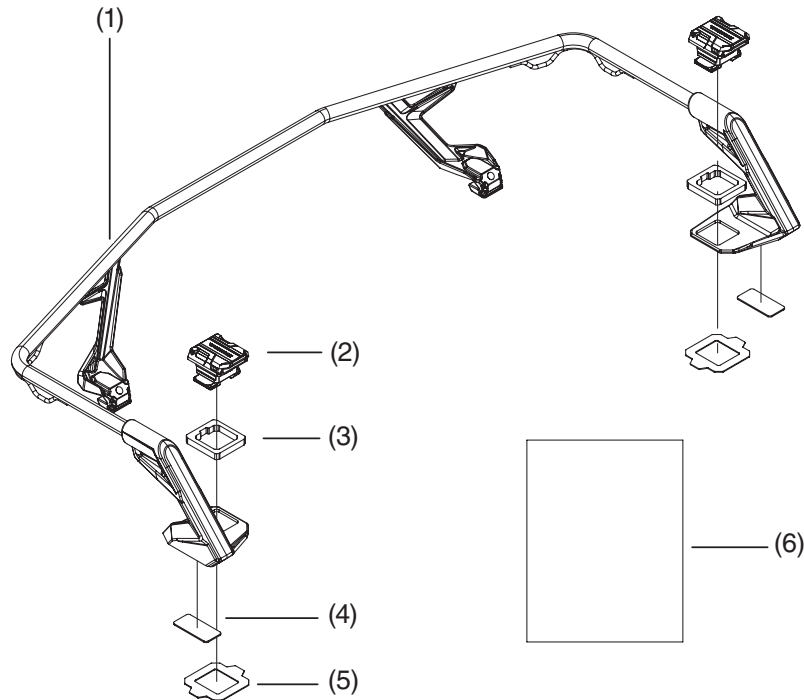
Accessory
FRONT CARRIER EXTENDER
 P/N 0SL73-HR4-A01

Application
 TRX420 AFTER 2019
 TRX520 AFTER 2019
 TRX700 2024

Publication No.
MII 17151
 Issue Date
February 2021

Honda Dealer: Please give a copy of these instructions to your customer.

PARTS LIST



No.	Description	Qty
(1)	Front Carrier Extender	1
(2)	Honda Pro-Connect™ Latch	2
(3)	Rubber Spacer	2
(4)	Snap Ring	2
(5)	Rubber Pad	2
(6)	Installation Instruction URL	1

▲ WARNING:

Overloading this ATV or improperly carrying cargo can affect handling, braking performance and stability and can lead to a crash resulting in **SERIOUS INJURY** or **DEATH**

- **NEVER** exceed the maximum weight limit printed on the vehicle and in the ATV owner's manual
- **ALWAYS** secure cargo carried in the rack extender to ATV rack to securely prevent shifting.

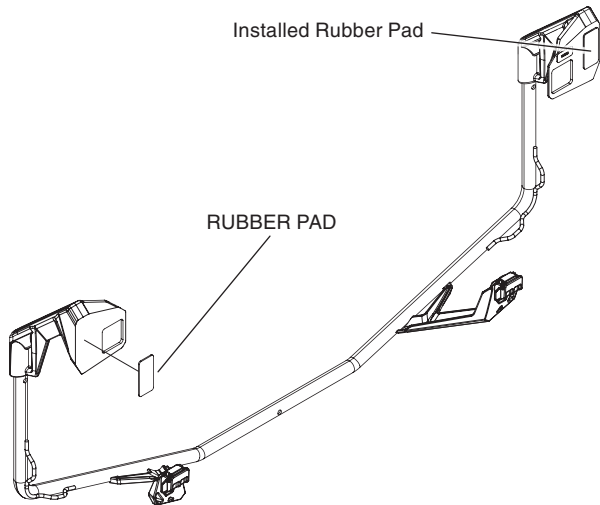
NOTE:

- Always make sure the Pro-Connect™ latches are properly engaged before riding.
- Never allow anyone to sit or ride on bed rack at any time.
- Please read and follow all instructions and warning supplied with the rack extender.

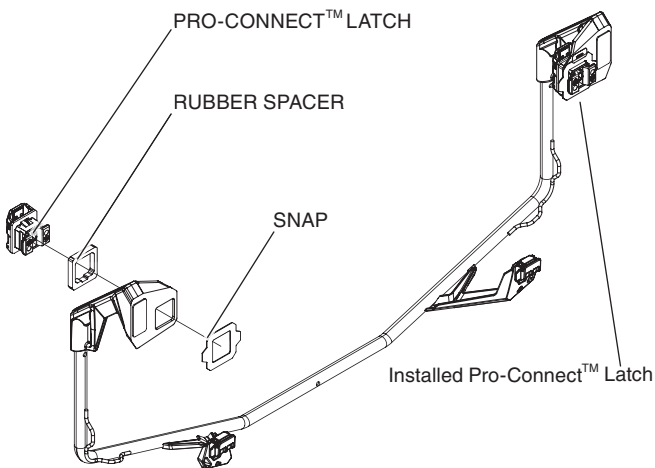
INSTALLATION

1. Remove the paper backing from the back of the rubber pad to expose the adhesive. Install the rubber pads in the locations shown.

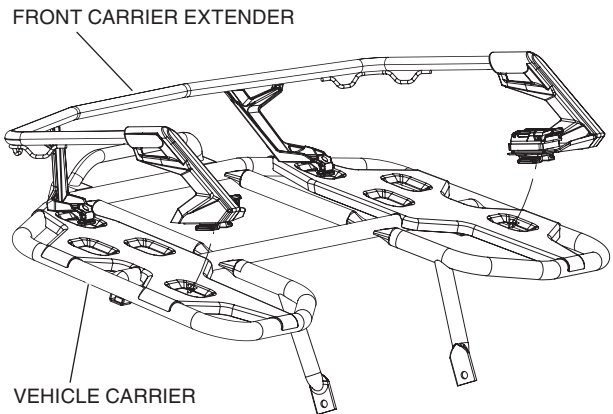
NOTE: Be sure the mating surface on the front carrier extender is clean before installing the rubber pad.



2. Install two Honda Pro-Connect™ latches into the front carrier extender using a rubber spacer between each latch and the carrier extender. Secure the latches to the front carrier extender by installing a snap ring onto each latch from underneath the carrier extender.



3. Lift the lever on each latch to unlock them. Place the front carrier extender onto the front carrier of the ATV. Line up each latch with its corresponding hole in the carrier then push each latch into its hole.



4. Secure the cargo box to the vehicle by pressing down each Honda Pro-Connect™ lever.

